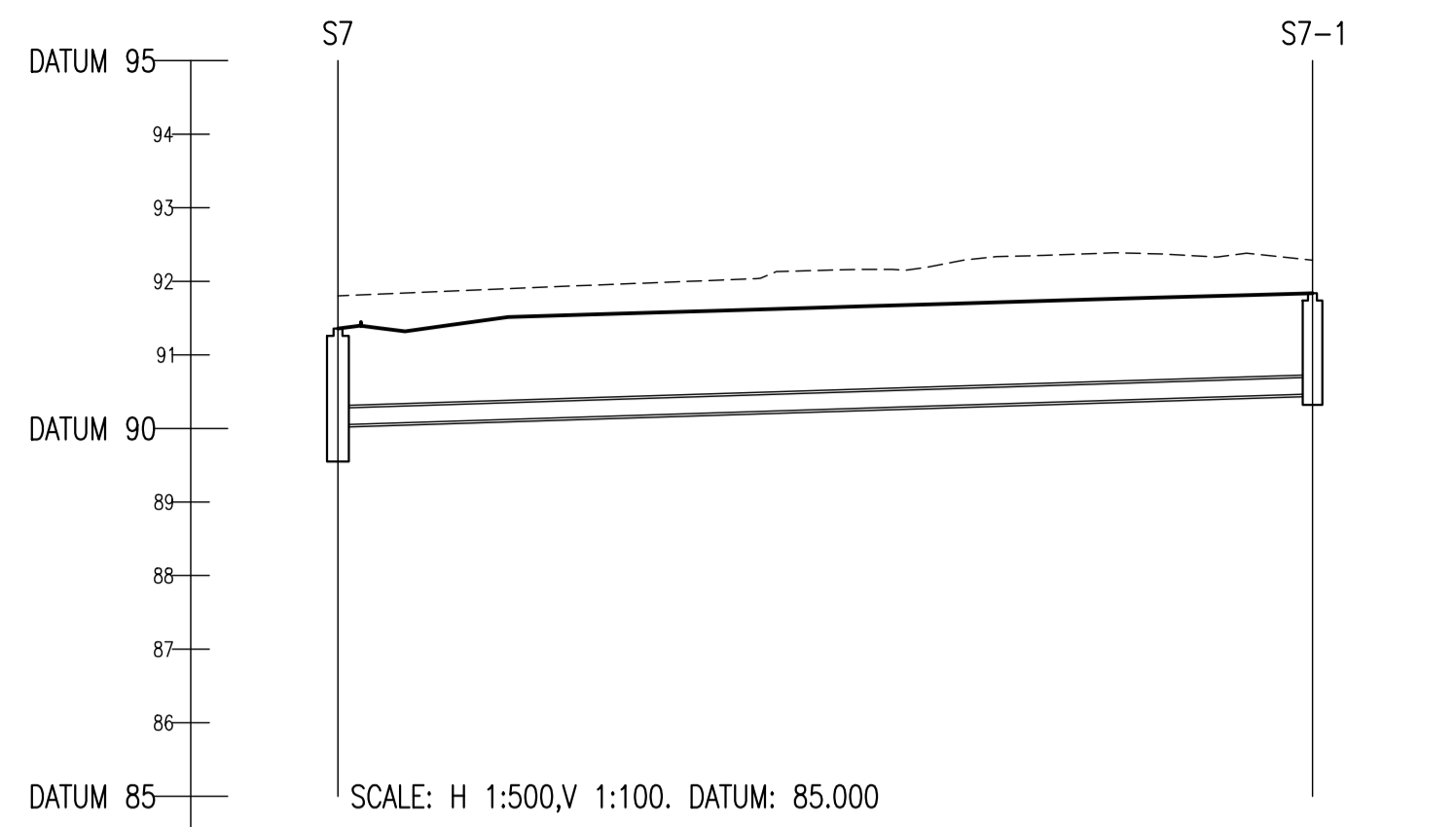
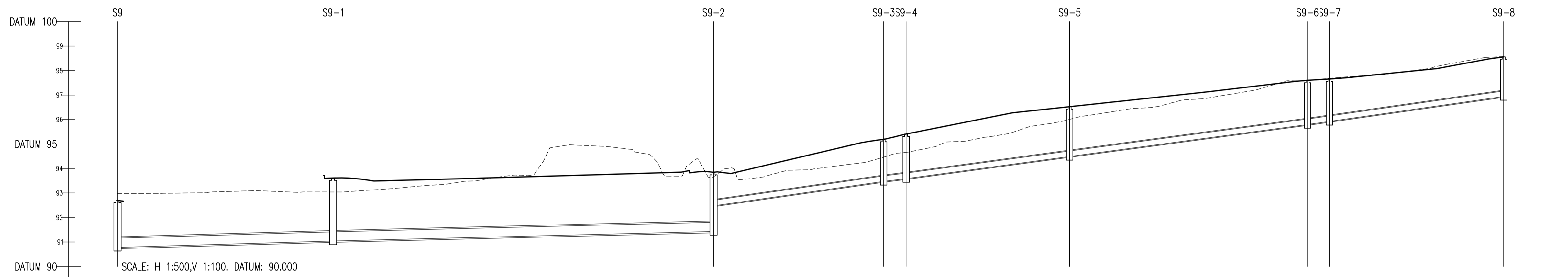


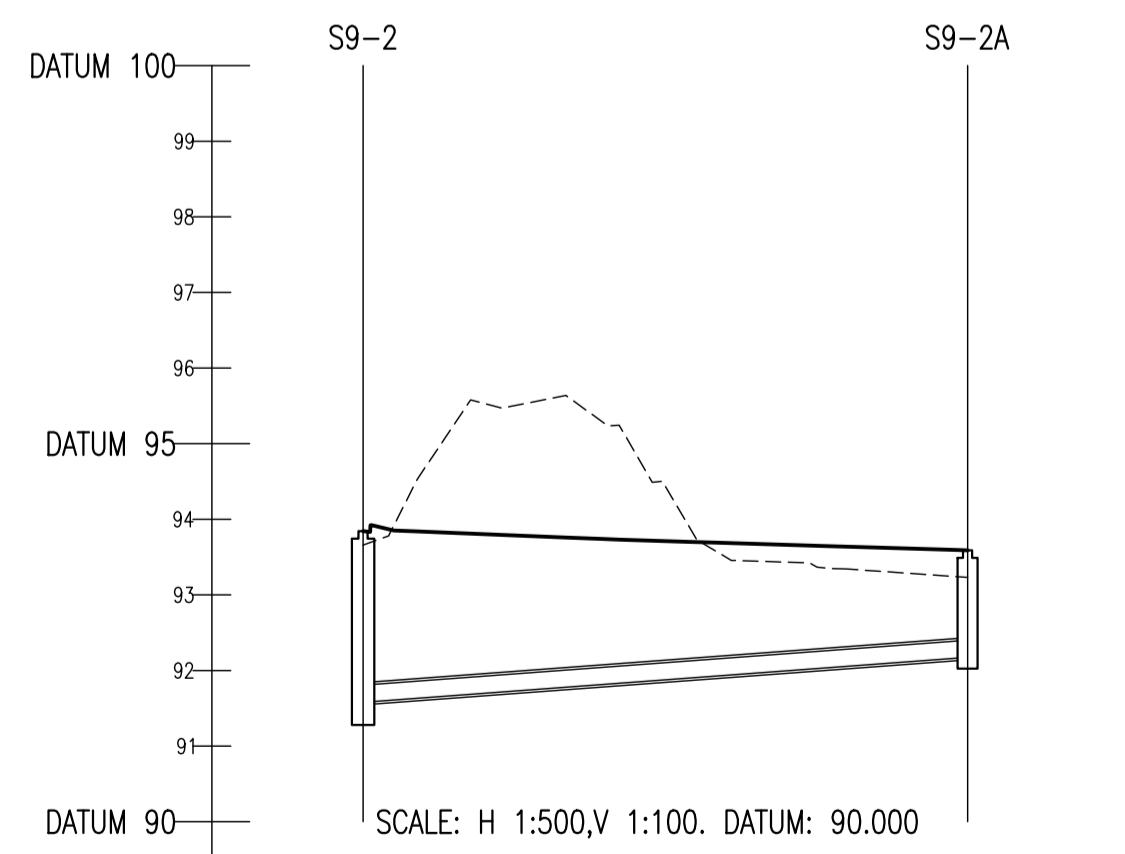
| COVER LEVEL | 100.819 | 101.353 | 103.889 | 103.873 | 100.024 |
|--------------|---------|---------|---------|---------|---------|
| INVERT LEVEL | 99.125 | 99.965 | 100.041 | 100.005 | 102.380 |
| DEPTH (m) | 2.234 | 1.488 | 2.148 | 2.268 | 1.644 |
| DISTANCE (m) | 18.68 | 67.61 | 5.08 | 59.78 | |
| PIPE SLOPE | 1:25 | 1:40 | 1:79 | 1:77 | |
| PIPE SIZE | 225mm | 225mm | 225mm | 225mm | |



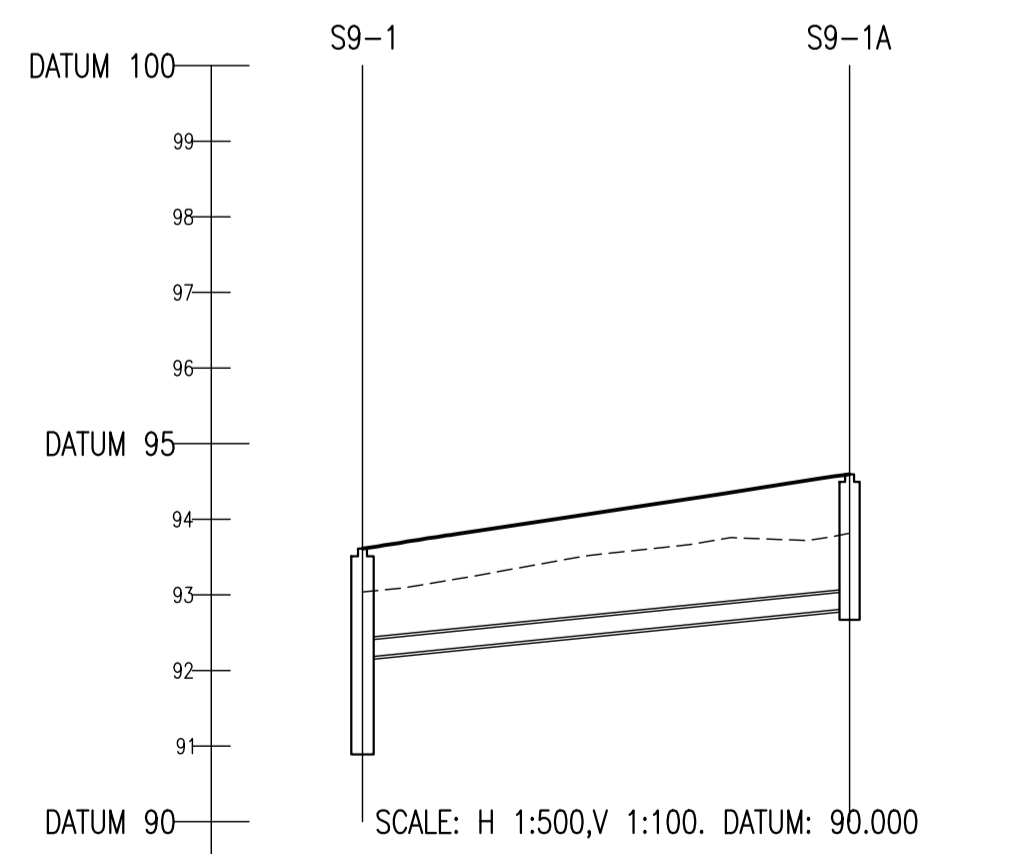
| COVER LEVEL | 91.359 | 91.839 |
|--------------|--------|--------|
| INVERT LEVEL | 90.050 | 88.420 |
| DEPTH (m) | 1.659 | 1.368 |
| DISTANCE (m) | 66.22 | |
| PIPE SLOPE | 1:158 | |
| PIPE SIZE | 225mm | |



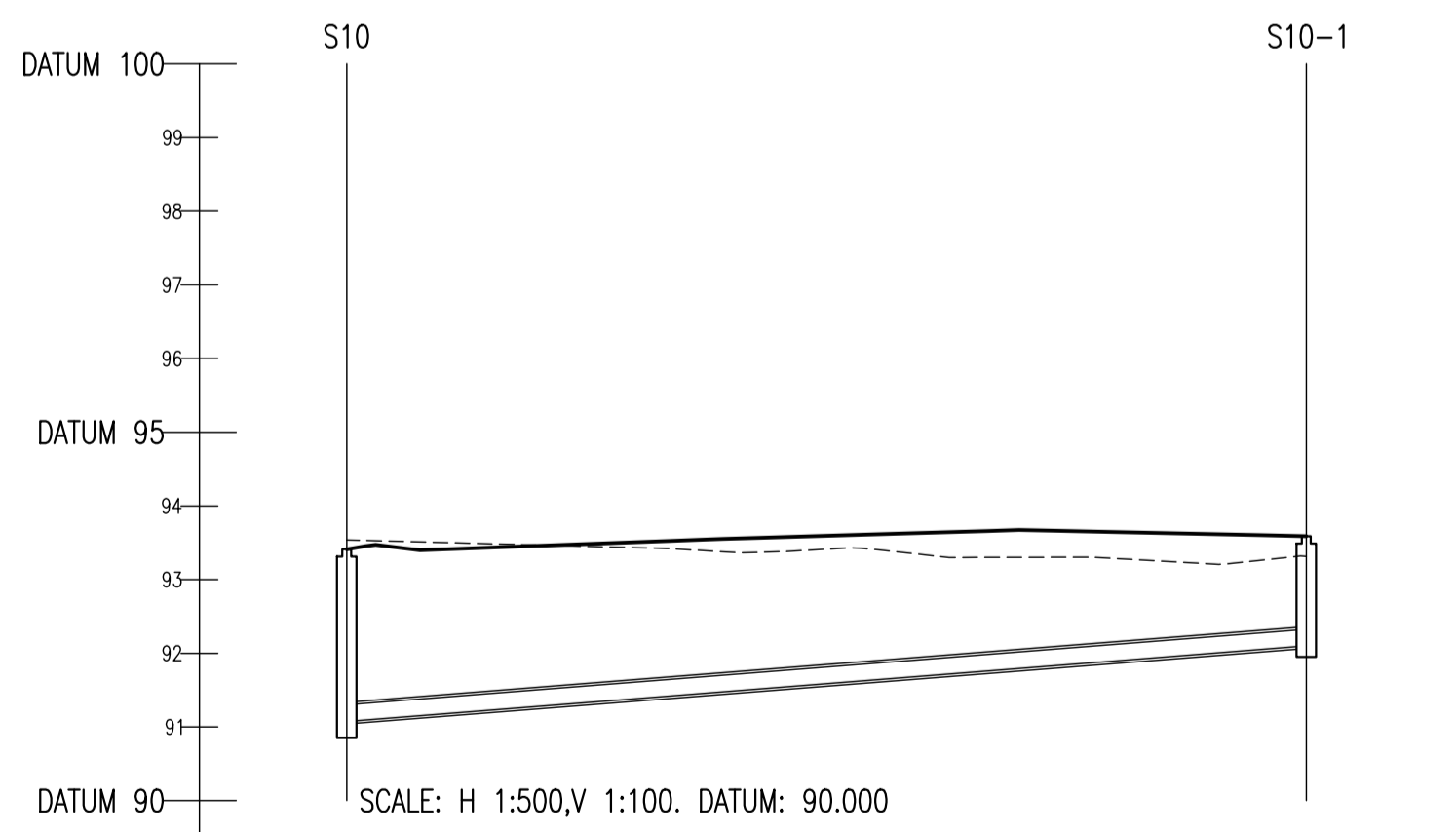
| COVER LEVEL | 92.705 | 93.611 | 93.643 | 95.193 | 95.408 | 96.524 | 97.601 | 97.652 | 98.558 |
|--------------|--------|--------|--------|--------|--------|--------|--------|--------|--------|
| INVERT LEVEL | 90.780 | 91.040 | 91.430 | 92.475 | 93.588 | 94.491 | 95.295 | 95.923 | 96.940 |
| DEPTH (m) | 1.925 | 2.571 | 2.213 | 1.720 | 1.820 | 2.033 | 1.806 | 1.729 | 1.618 |
| DISTANCE (m) | 44.05 | 77.79 | 34.77 | 4.61 | 33.41 | 48.63 | 4.48 | 35.61 | |
| PIPE SLOPE | 1:169 | 1:199 | 1:40 | 1:35 | 1:37 | 1:35 | 1:35 | 1:35 | |
| PIPE SIZE | 375mm | 375mm | 225mm | 225mm | 225mm | 225mm | 225mm | 225mm | |



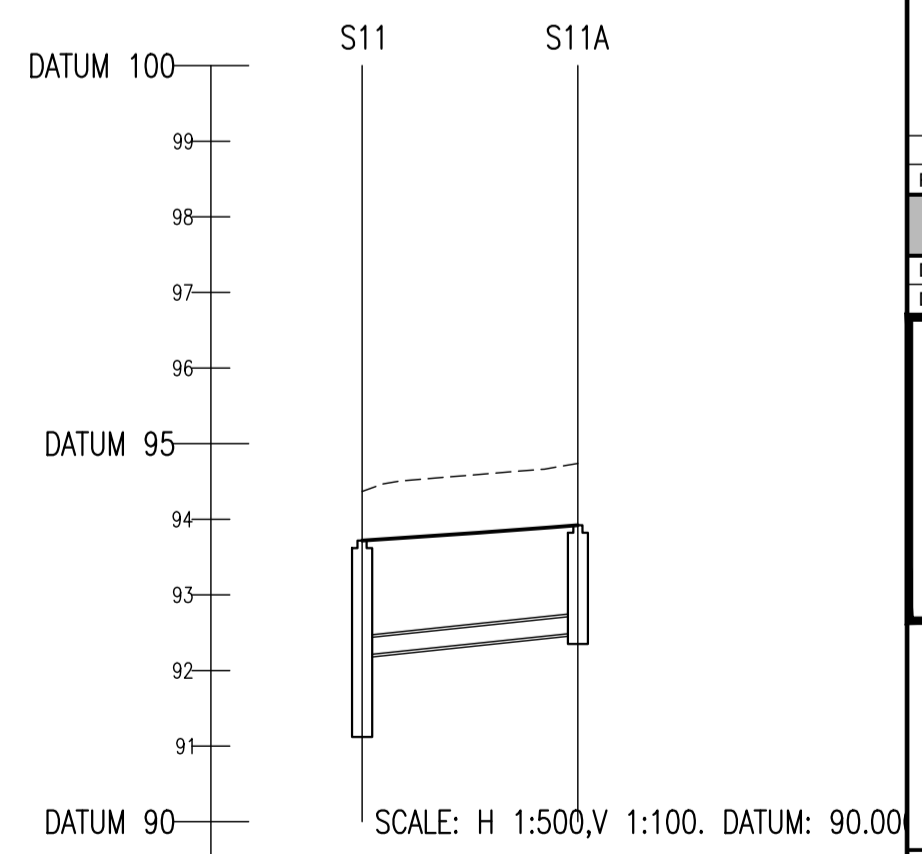
| COVER LEVEL | 93.843 | 94.589 |
|--------------|--------|--------|
| INVERT LEVEL | 91.580 | 92.175 |
| DEPTH (m) | 2.413 | 1.414 |
| DISTANCE (m) | 39.98 | |
| PIPE SLOPE | 1:67 | |
| PIPE SIZE | 225mm | |



| COVER LEVEL | 93.611 | 94.594 |
|--------------|--------|--------|
| INVERT LEVEL | 92.170 | 92.820 |
| DEPTH (m) | 2.571 | 1.774 |
| DISTANCE (m) | 32.22 | |
| PIPE SLOPE | 1:50 | |
| PIPE SIZE | 225mm | |

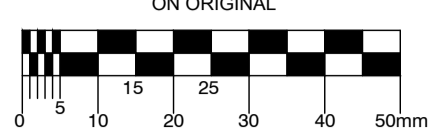


| COVER LEVEL | 93.411 | 93.589 |
|--------------|--------|--------|
| INVERT LEVEL | 91.075 | 92.100 |
| DEPTH (m) | 2.411 | 1.489 |
| DISTANCE (m) | 65.12 | |
| PIPE SLOPE | 1:64 | |
| PIPE SIZE | 225mm | |



| COVER LEVEL | 93.717 | 93.921 |
|--------------|--------|--------|
| INVERT LEVEL | 92.200 | 92.500 |
| DEPTH (m) | 2.447 | 1.421 |
| DISTANCE (m) | 14.27 | |
| PIPE SLOPE | 1:48 | |
| PIPE SIZE | 225mm | |

© COPYRIGHT OF THIS DRAWING IS RESERVED BY DBFL CONSULTING ENGINEERS. NO PART SHALL BE REPRODUCED OR TRANSMITTED WITHOUT THEIR WRITTEN PERMISSION.



- NOTES:
- ALL DRAWINGS TO BE CHECKED BY CONTRACTOR ON SITE AND ENGINEER INFORMED OF DISCREPANCIES BEFORE WORK COMMENCES
 - ALL LEVELS ARE IN METRES AND ARE RELATED TO ORDNANCE DATUM
 - CONTRACTOR SHALL SATISFY HIMSELF AS TO THE ACCURACY OF PAVEMENT LEVELS ON SITE PRIOR TO COMMENCEMENT OF WORKS ON SITE
 - ALL WORKS TO BE CONSTRUCTED IN ACCORDANCE WITH THE NRA SPECIFICATION FOR ROAD WORKS UNLESS NOTED OTHERWISE
 - THIS DRAWING IS FOR PLANNING PURPOSES ONLY
 - MANHOLE COVER LEVELS ARE TO CONFORM WITH FINISHED ROAD AND PATH LEVELS
 - WHERE COVER TO PIPE IS LESS THAN 1200mm (ROAD/PATH/VERGE) OR 900mm (OPEN SPACE) SURROUND PIPE IN MINIMUM 150mm CONCRETE

KEY

- - - - - EXISTING GROUND PROFILE
- PROPOSED GROUND PROFILE

| REV | DATE | DESCRIPTION | BY | CHKD |
|-----------------|----------|-------------|-----|------|
| PLANNING | | | | |
| DESIGNED | NCG | PREPARED | PJC | |
| DATE | SEP 2019 | CHECKED | DJR | |

DUBLIN OFFICE: Ormrod House, Upper Ormrod Quay, Dublin 7, Ireland. PHONE +353 1 400 4000 FAX +353 1 400 4050
 WATERFORD OFFICE: Unit 2, The Chandlery, 1-2 O'Connell Street, Waterford, Ireland. PHONE +353 51 338 530 FAX +353 51 844 913
 DBFL Consulting Engineers email: info@dbfl.ie site: www.dbfl.ie

PROJECT
LANDS AT NEWCASTLE, SOUTH DUBLIN

DRG. TITLE
LONGITUDINAL SECTIONS THROUGH SURFACE WATER SHEET 2

ARCHITECT
MOLA